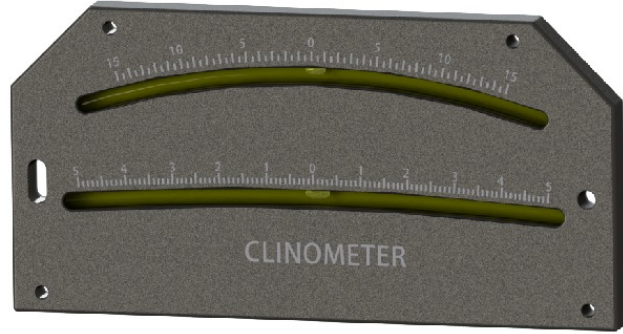


**NOTES:**



**SYMBOL**

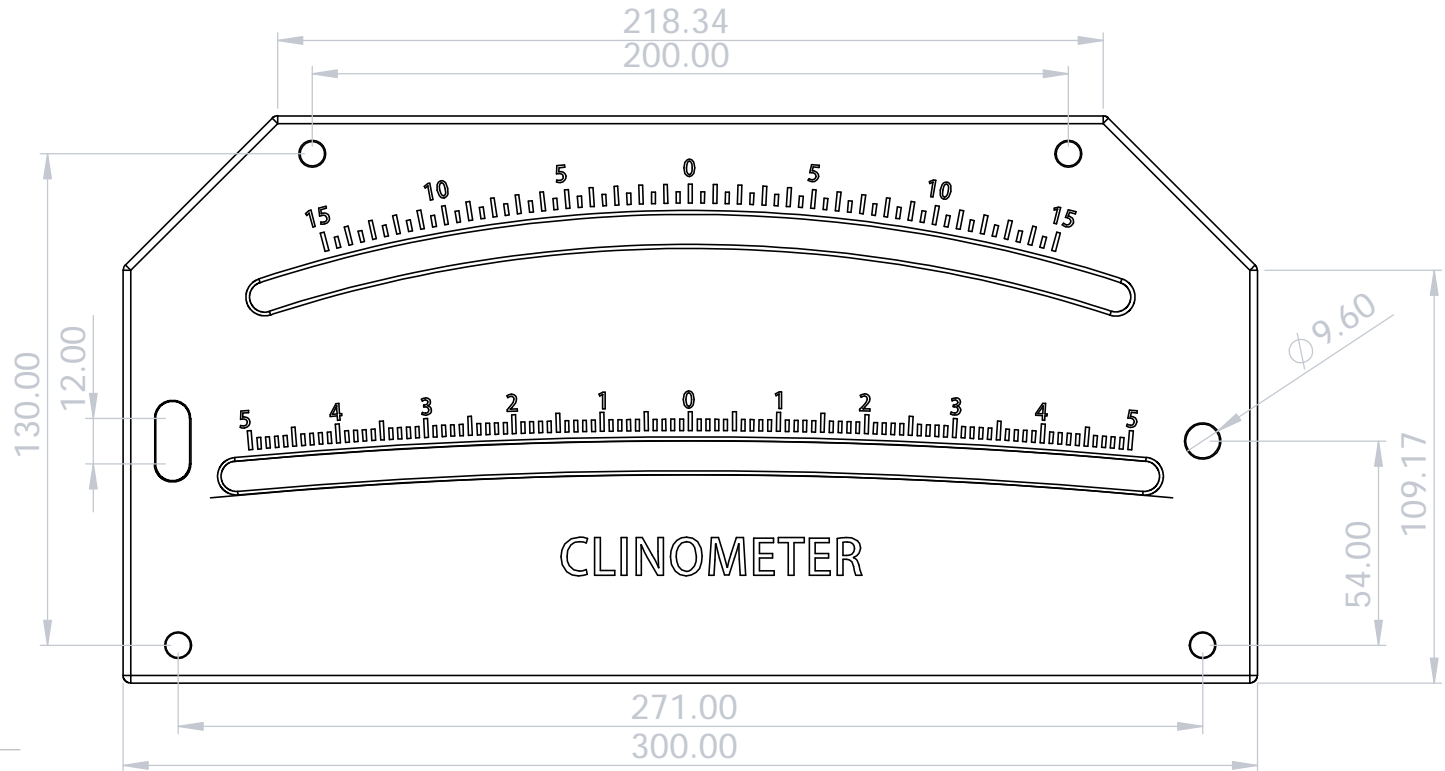
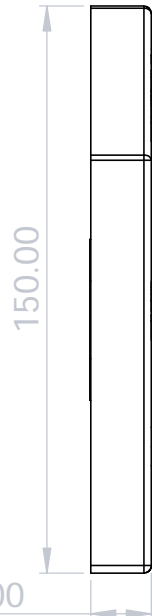
**REVISION RECORD**

**DATE**

Liu

Drawn

2010-11-14



A



**L.V Level Co.,Ltd**

[www.level-tool.com](http://www.level-tool.com)  
[sail@level-tool.com](mailto:sail@level-tool.com)

768#,Nanhai Road,Nantong,Jiangsu,China

Unless Otherwise Specified:Units: mm  
 Tolerances: XX. ± 1.0 | XX.X ± 0.25 | XX.XX ± 0.1

**TITLE:** Bubble inclinometer,  
 ±5° and ±15° range

**MATERIAL:**  
 Vial: Glass  
 Housing: ACETAL

**SCALE:** 1:2

**DRAWN BY:**

liu

**DATE:** 2010-11-14

**DRAWING NUMBER**

BBI5647-1

6

5

4

3

2

1

A