

**NOTES:**

Expansion chamber type vial:  
Wide temperature range(-40 to 85 degree);  
User adjustable bubble size;  
Minimal bubble size change with temperature

**SYMBOL**

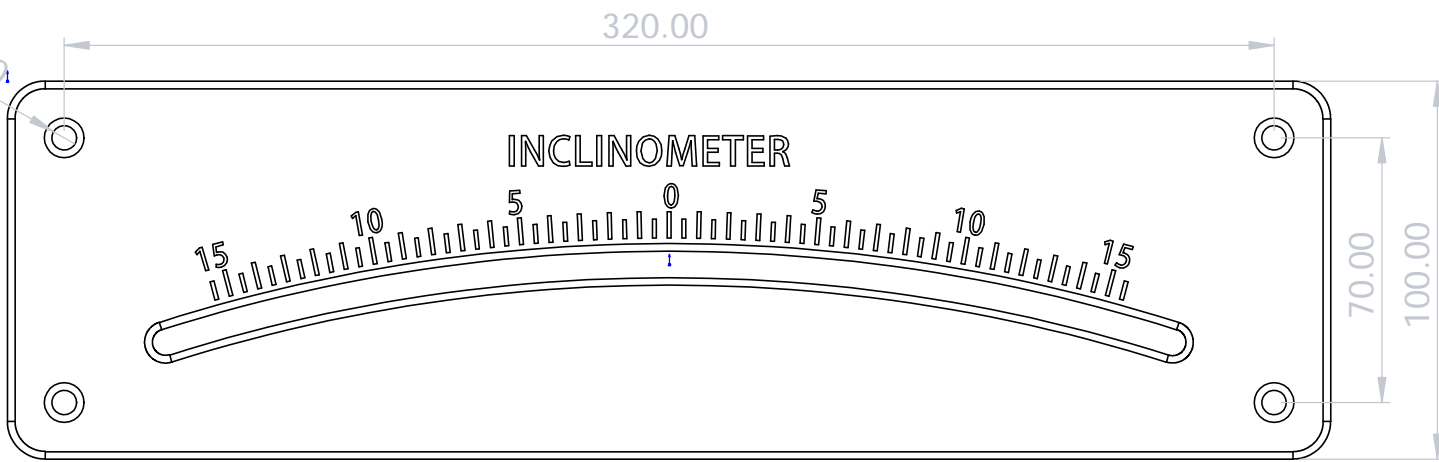
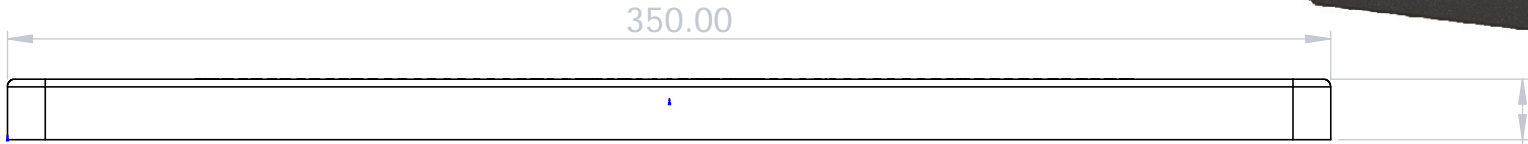
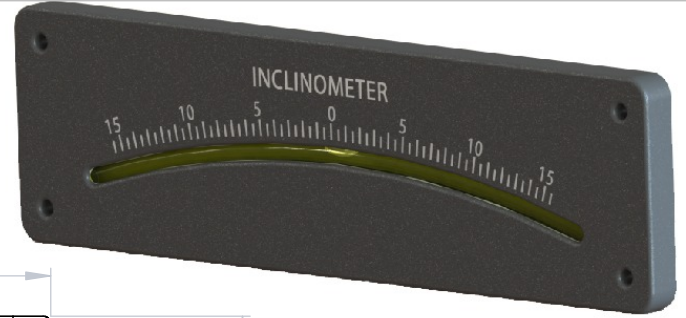
Liu

**REVISION RECORD**

Drawn

**DATE**

2009-8-10



 **L.V Level Co.,Ltd**  
www.level-tool.com  
sail@level-tool.com

Unless Otherwise Specified:Units: mm  
Tolerances: XX. ± 1.0 | XX.X ± 0.25 | XX.XX ± 0.1

**MATERIAL:**  
Vial: Glass  
Housing: Acetal

**DRAWN BY:**

liu

**DATE:** 2009-8-10

**DRAWING NUMBER**

768#,Nanhai Road,Nantong,Jiangsu,China

**TITLE:** Bubble inclinometer,  
±15° with expansion chamber

**SCALE:** 1:2

BBI5731-1