

NOTES:

Expansion chamber type vial:
 Wide temperature range(-40 to 85 degree);
 User adjustable bubble size;
 Minimal bubble size change with temperature

SYMBOL

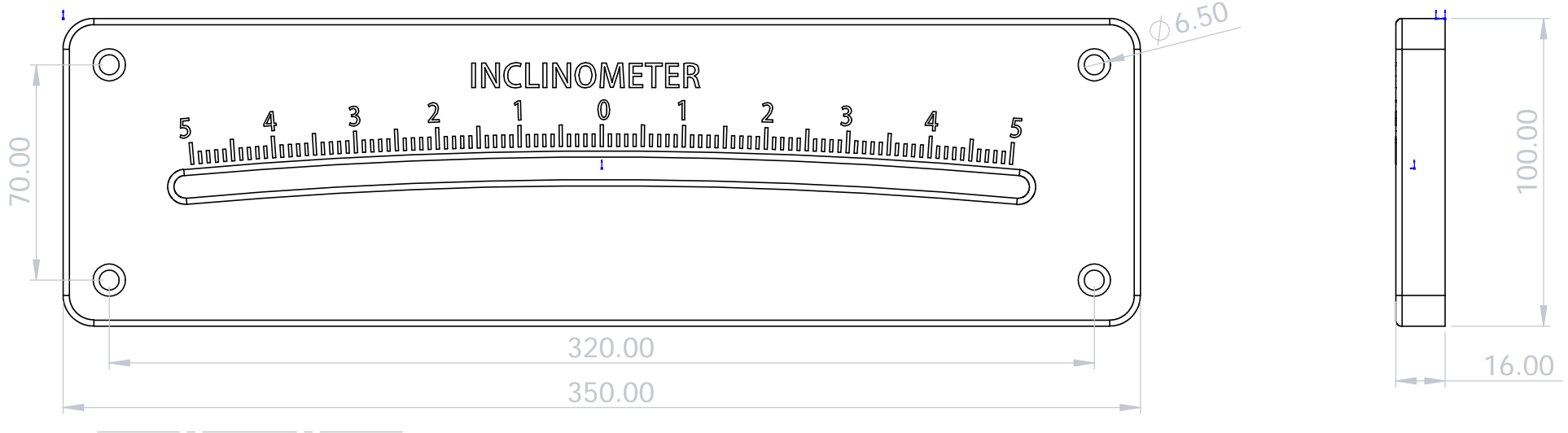
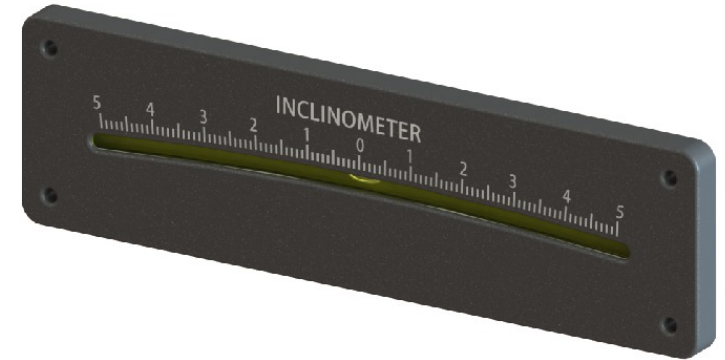
Liu

REVISION RECORD

Drawn

DATE

2009-9-15



L.V Level Co.,Ltd

www.level-tool.com
 sail@level-tool.com

768#,Nanhai Road,Nantong,Jiangsu,China

Unless Otherwise Specified:Units: mm
 Tolerances: XX. ± 1.0 | XX.X ± 0.25 | XX.XX ± 0.1

TITLE: Bubble inclinometer,
 ±5° with expansion chamber

MATERIAL:
 Vial: Glass
 Housing: Acetal

SCALE: 1:2

DRAWN BY:

liu

DATE: 2009-9-15

DRAWING NUMBER

BBI5776-1