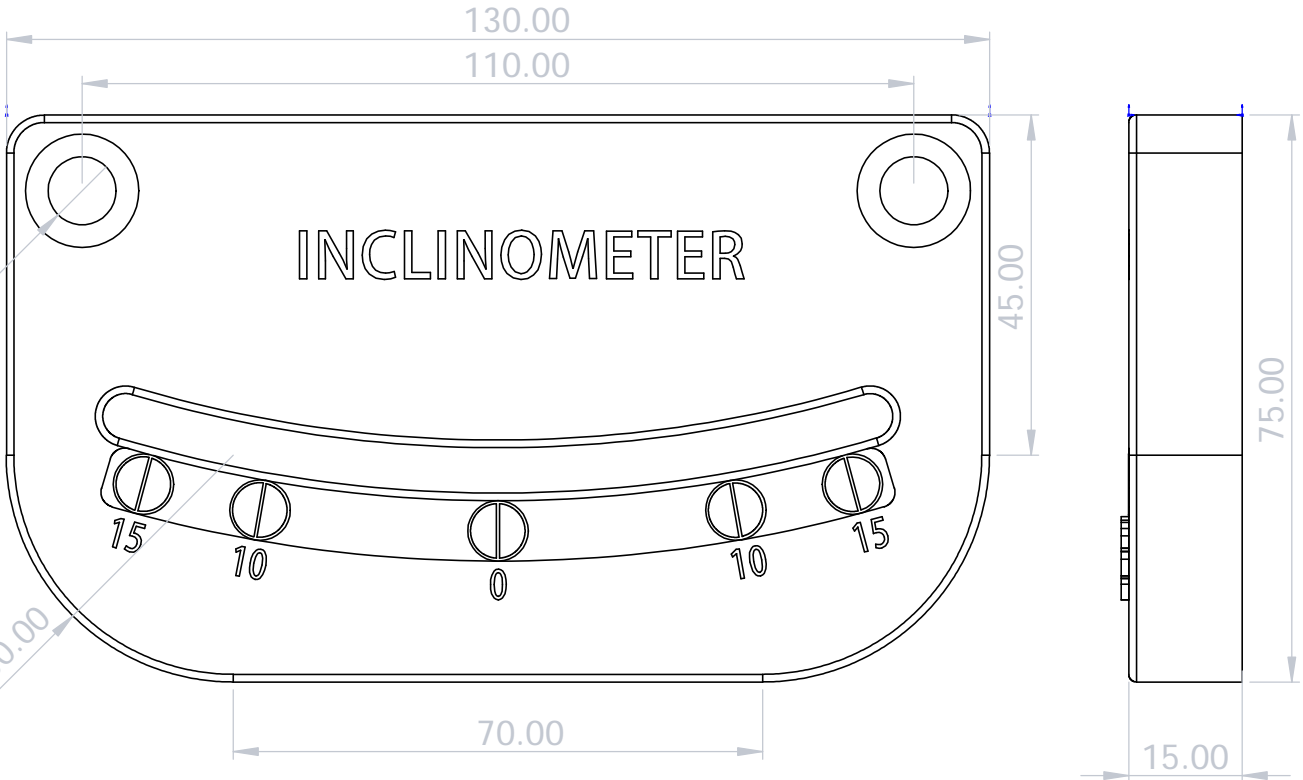


NOTES:



3	2	1
SYMBOL	REVISION RECORD	DATE
Liu	Drawn	2013-11-10



A	L.V Level Co.,Ltd www.level-tool.com sail@level-tool.com	Unless Otherwise Specified:Units: mm	MATERIAL:	DRAWN BY:	DATE: 2013-11-10	A
		Tolerances: XX. ± 1.0 XX.X ± 0.25 XX.XX ± 0.1	Vial: Glass Housing: Aluminum	liu	DRAWING NUMBER	
	768#,Nanhai Road,Nantong,Jiangsu,China	TITLE: Ball inclinometer, ±10%	SCALE: 1:1		BBI5810-1	

6 5 4 3 2 1