

NOTES:

1.2 degree for 2mm ball movement

SYMBOL

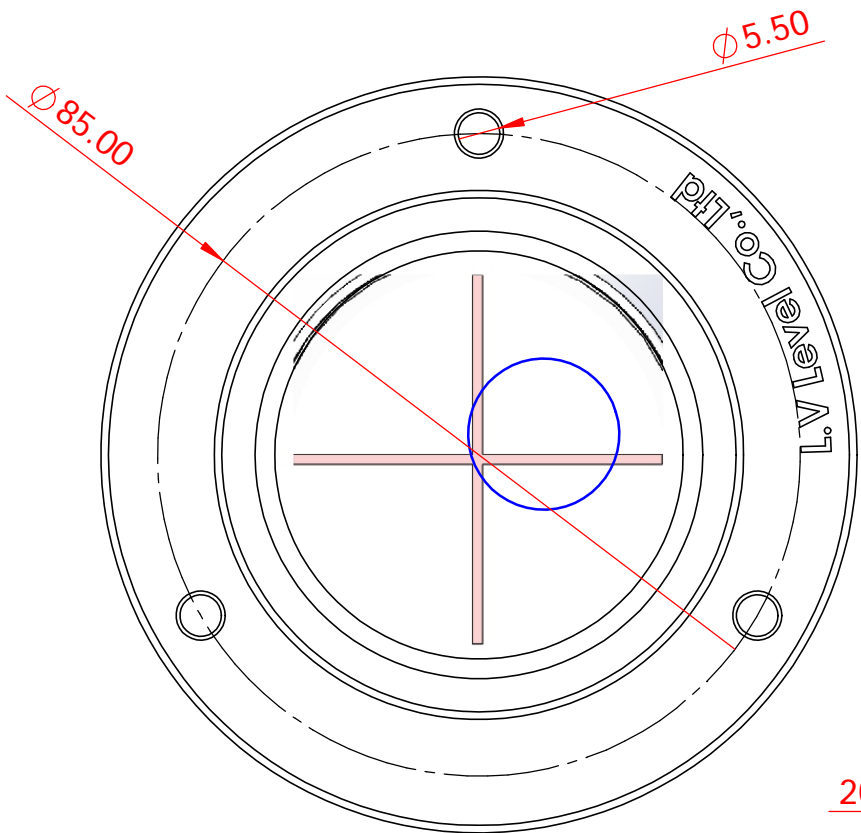
Liu

REVISION RECORD

Drawn

DATE

2009-1-10



L.V Level Co.,Ltd
www.level-tool.com
sail@level-tool.com

Unless Otherwise Specified:Units: mm
 Tolerances: XX. ± 1.0 | XX.X ± 0.25 | XX.XX ± 0.1

TITLE: Circular Inclinometer Levels

MATERIAL:
 Vial: Ceramics
 Housing: Aluminium

SCALE: 1:1

DRAWN BY:

liu

DATE: 2009-1-10

DRAWING NUMBER

CIL5229-1