

**NOTES:**

**SYMBOL**

**REVISION RECORD**

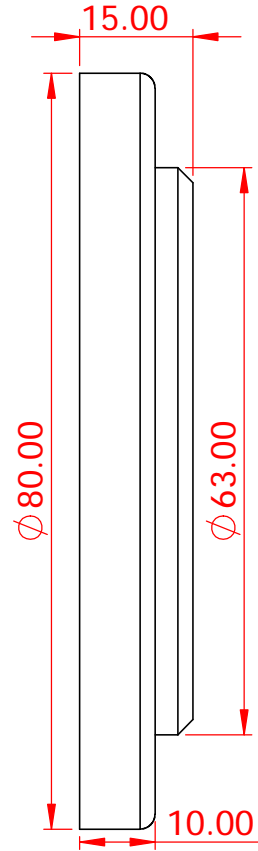
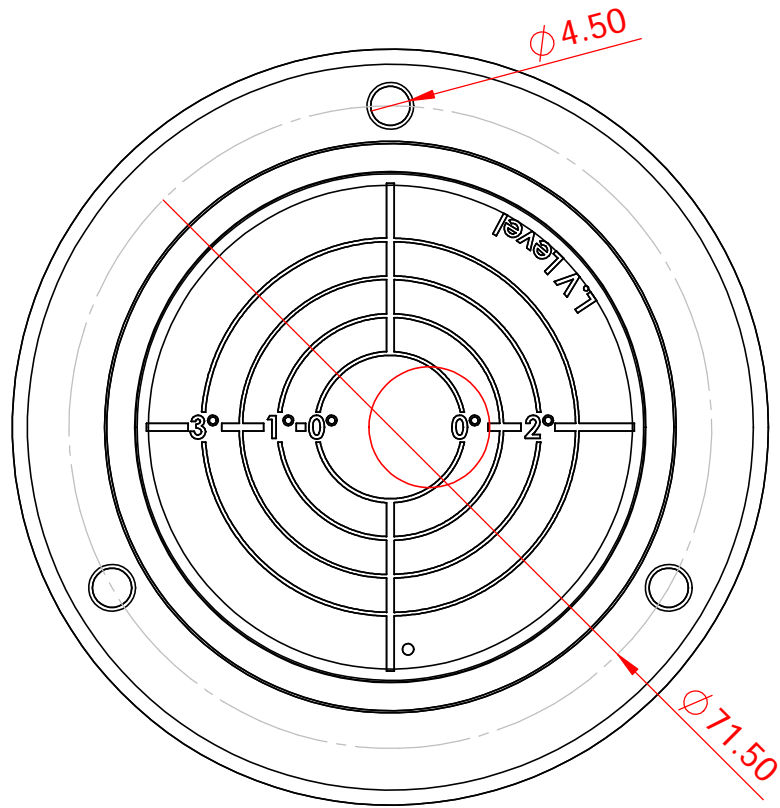
**DATE**

Liu

Drawn

2013-10-21

bubble size  $\Phi 18\text{mm}$ , at 20 °C



**L.V Level Co.,Ltd**

[www.level-tool.com](http://www.level-tool.com)  
[sail@level-tool.com](mailto:sail@level-tool.com)

Unless Otherwise Specified:Units: mm  
 Tolerances: XX. ± 1.0 | XX.X ± 0.25 | XX.XX ± 0.1

**MATERIAL:**

Housing: Aluminium

**DRAWN BY:**

liu

**DATE:** 2013-10-21

**DRAWING NUMBER**

**TITLE:** Circular Inclinometer Levels

**SCALE:** 1:1

CILPVF80-3