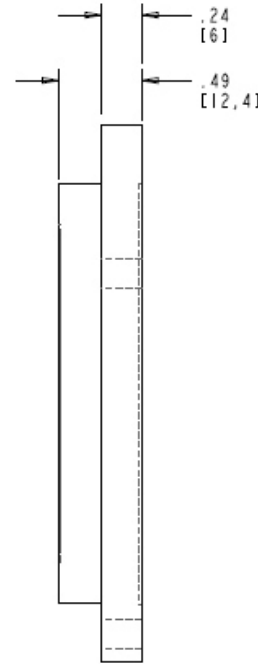
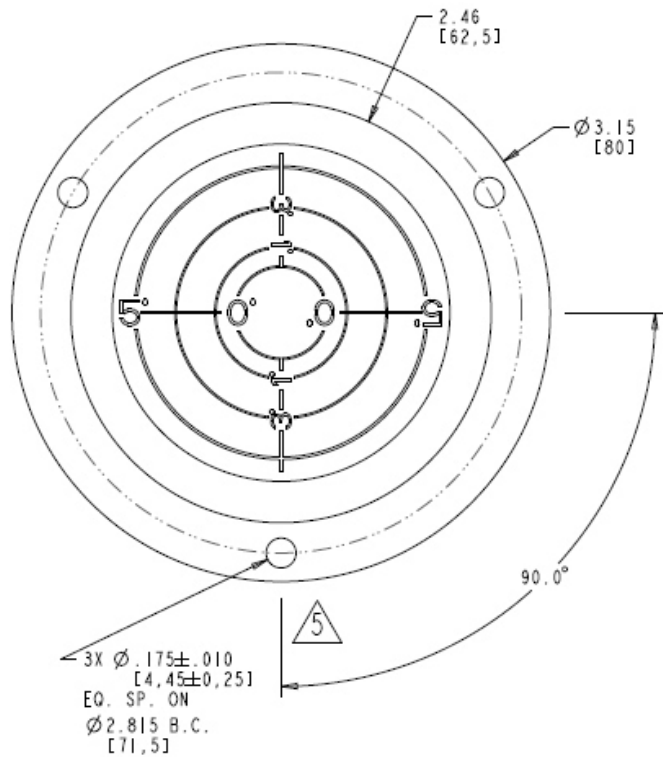


NOTES:

Aluminium housing;  
Optical Glass work face;



3	2	1
SYMBOL	REVISION RECORD	DATE
Liu	Drawn	2009-7-21

**L.V Level Co.,Ltd**  
[www.level-tool.com](http://www.level-tool.com)  
[sail@level-tool.com](mailto:sail@level-tool.com)

Unless Otherwise Specified:Units: mm  
 Tolerances: XX. ± 1.0 | XX.X ± 0.25 | XX.XX ± 0.1

**TITLE:** Circular Inclinometer Levels

**MATERIAL:**  
 Housing: Aluminium  
**SCALE:** 1:1

**DRAWN BY:**  
 liu

**DATE:** 2009-7-21  
**DRAWING NUMBER**  
 CTL5229-1