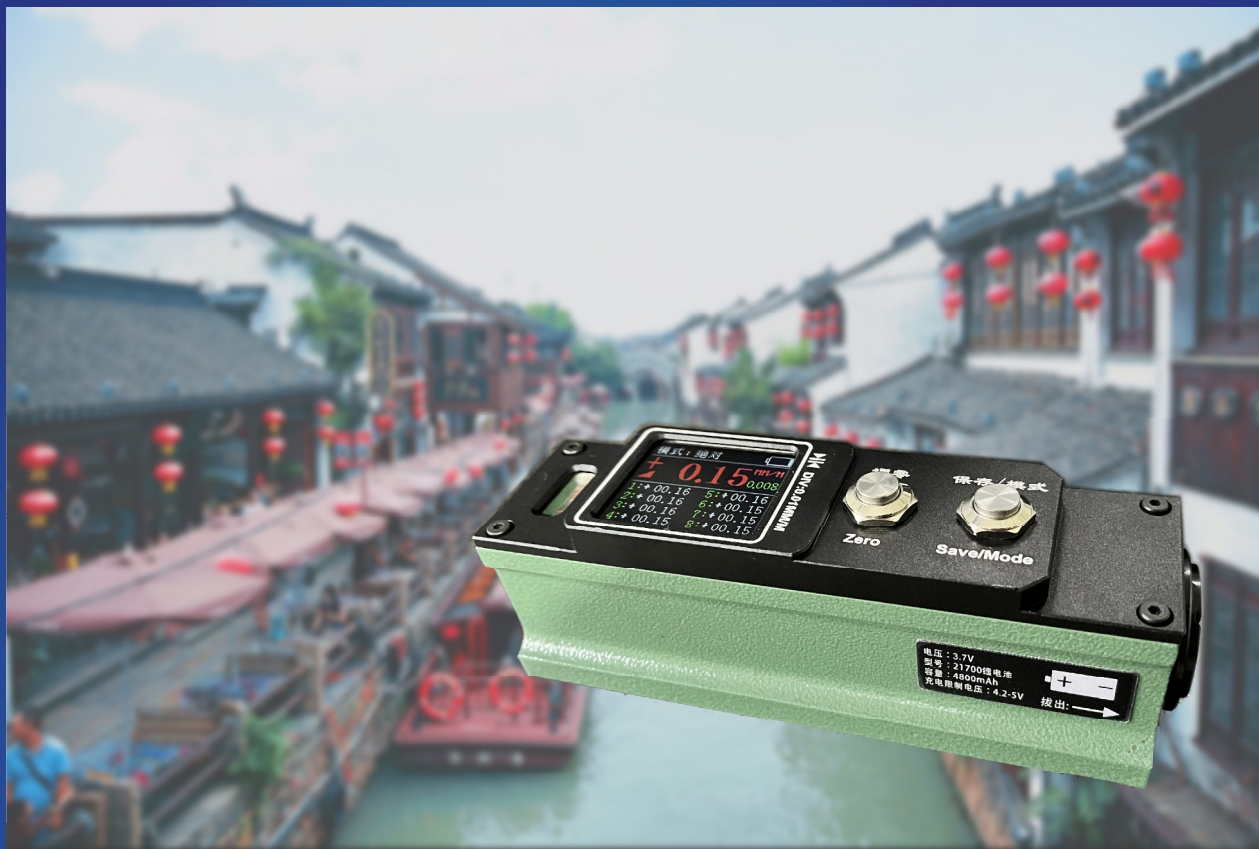


L.V level CO., LTD



零零零传感
manufacturing professional



Digital Engineers Levels 高精度数字水平仪

零零零传感

Web : www.level-tool.com

Email: sail@level-tool.com

Tel : ++86 513 8720 5856 / ++130 4501 0461

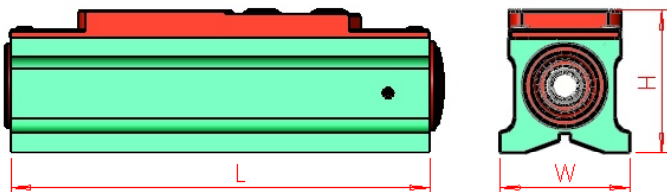
Add : 4 building, 209 Number,
Zhuyuan, Road, Suzhou, JiangSu pro., China
苏州高新区竹园路209号4号楼

SPECIFICATIONS



TECHNICAL SPECIFICATIONS	LV/W11
Sensitivity 精度	0.01 mm/m
Measuring range 测量范围	±200mm/m
Limits of error M _w = measured value	max. 1 % M _w min. 0.001 mm/m
Temperature error / °C (Ø10 °C) MW = measured value	M _w ≤ 2 mm/m max. 0.01 mm/m M _w > 2 mm/m max. 0.020 mm/m
Lateral stability of sensor X <> Y	max. 0.05 mm/m
Response time 稳定时间	< 5 sec
Digital output	RS232 / RS485, 433 , 7 DataBits, 9600 bps
Batteries size 电池型号	21700 3.7V , lithium battery
Operating temperature 使用温度	0 ... + 40 °C
Storage temperature 储存温度	-30 ... + 70 °C
Net weight, including batteries	0.800 kg

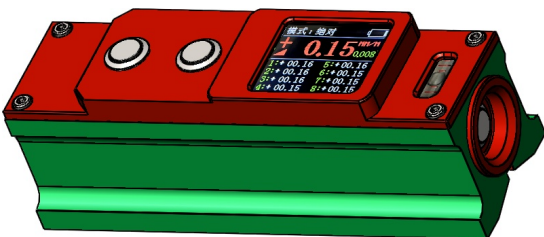
SPECIFICATIONS



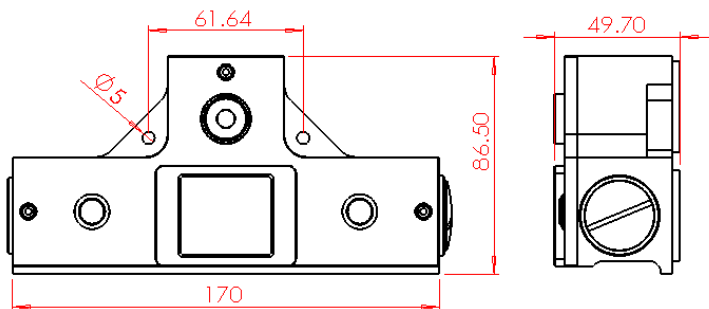
Base Length		H	Weight/KG	P/N
L	W			
/MM	/MM	/MM	Cast iron	
150	46.5	51	0.8	LVH150
200	46.5	51	1.2	LVH200
250	46.5	51	1.6	LVH250

General:

- Horizontal measuring base
- Prismatic contact faces for shafts with $\varnothing 30 \dots 110 \text{ mm}$
- Cast iron
- Other surfaces nickel-plated

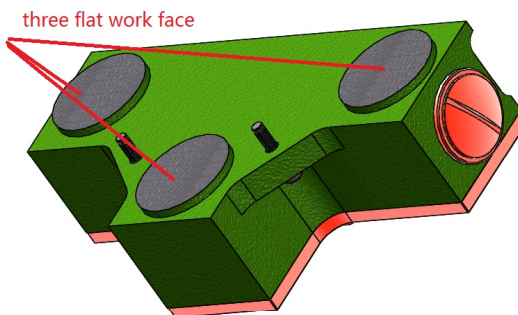


双向电子水平仪，精度0.01MM/M

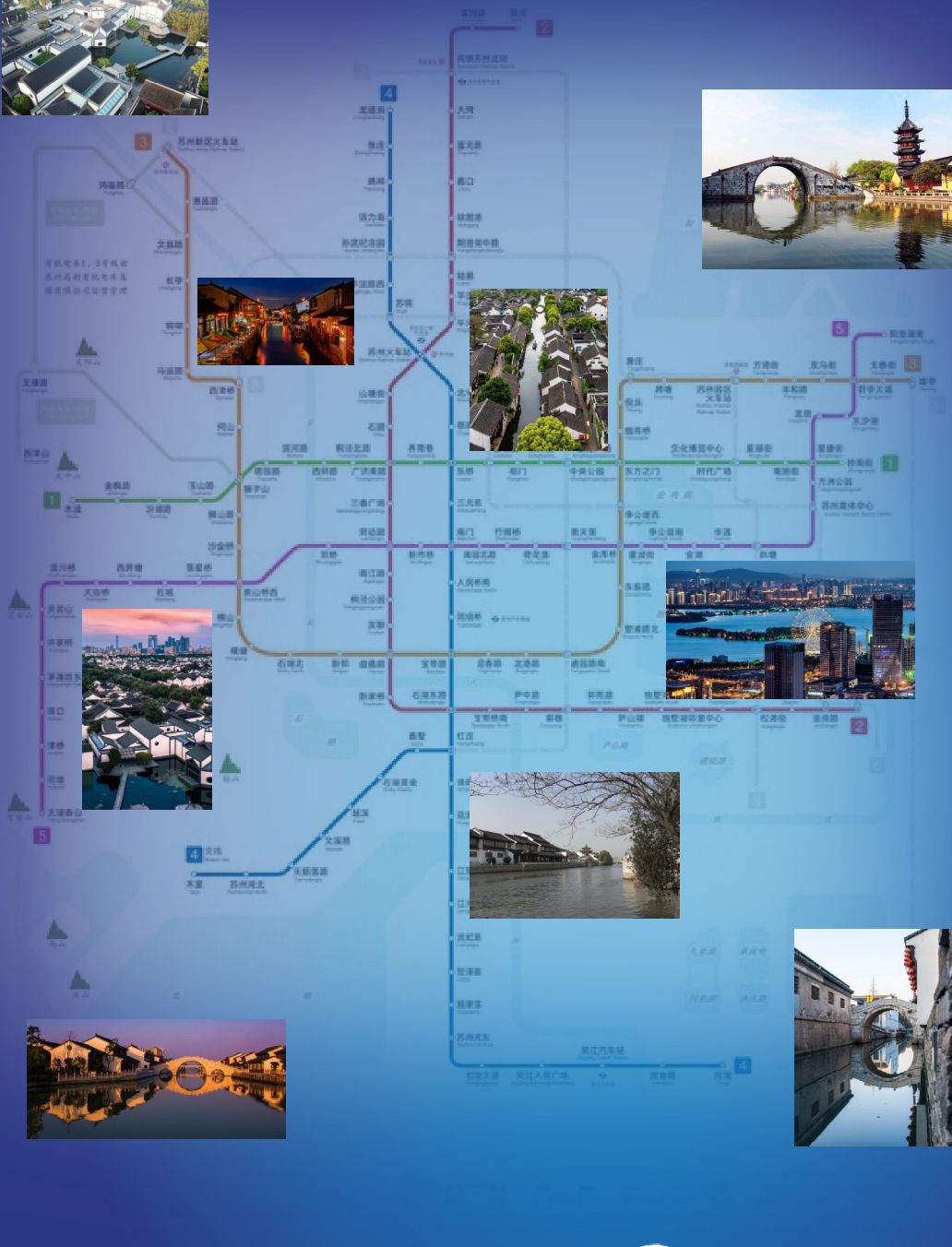


General:

- 2D-Measuring instrument
 - Large graphical display
 - Aluminium housing coated
- 底部带两个固定螺丝，可以固定到支架。



Base Length		H	Weight/KG	P/N
L	W			
/MM	/MM	/MM	Cast iron	
170	86.5	49.7	1.8	LVDA170



Quality

Service
+ Partnership

Innovation
+ Competence

L.V level CO., LTD



零零零传感
manufacturing professional

Web : www.level-tool.com

Email: sail@level-tool.com

Tel : ++86 513 8720 5856 / ++130 4501 0461

Add : 4 building, 209 Number,
Zhuyuan,Road,Suzhou,JiangSu pro.,China
苏州高新区竹园路209号4号楼