

NOTES:

Temp.Range:-25 to +65°C
 Centre Ring: $\Phi 6.5\text{mm} \pm 0.1$ external diameter
 Color : anodised , chrome plated
 Line Thickness:0.5mm
 Bubble: $\Phi 5.0 \pm 0.3$ at 20° C
 Liquid:Clear
 Backing:White

SYMBOL

REVISION RECORD

DATE

Liu

Drawn

D

D

C

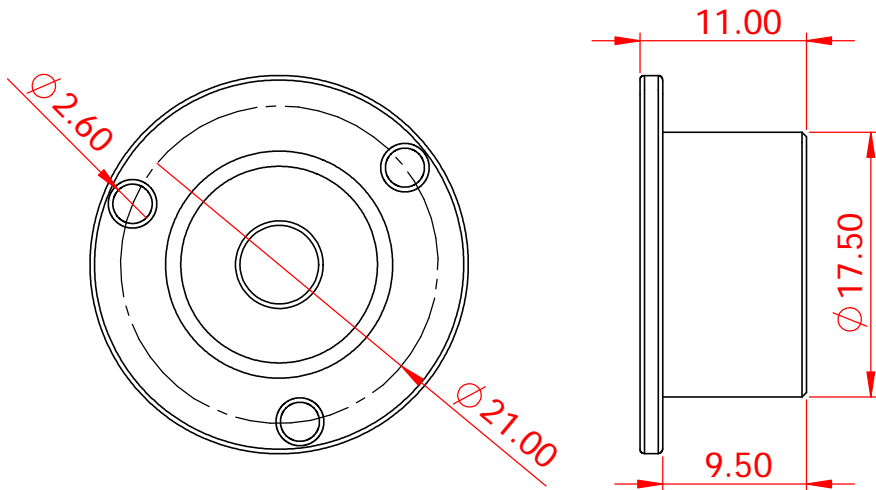
C

B


B

A

A



Part No	Sensitivity	Finished
FMCLG25	7'/2mm	anodised
FMCLG25/20	20'/2mm	anodised
FMCLGB25	7'/2mm	chrome
FMCLGB25/20	20'/2mm	chrome

 **L.V Level Co.,Ltd**
www.level-tool.com
sail@level-tool.com

Unless Otherwise Specified:Units: mm
 Tolerances: XX. ± 1.0 | XX.X ± 0.25 | XX.XX ± 0.1

MATERIAL:
 Vial: Glass
 Housing: Aluminium

DRAWN BY:

DATE: 2014-10-25

liu

DRAWING NUMBER

768#,Nanhai Road,Nantong,Jiangsu,China

TITLE: Flush Mounted Circular Levels
 Diameter 25mm

SCALE: 2:1

FMCLG25

6

5

4

3

2

1