

**NOTES:**

Temp.Range:-25 to +65℃  
 Centre Ring:  $\Phi 6.5\text{mm} \pm 0.1$  external diameter  
 Color : anodised , chrome plated  
 Line Thickness:0.5mm  
 Bubble: $\Phi 5.0 \pm 0.3$  at 20℃  
 Liquid:Green  
 Backing:White

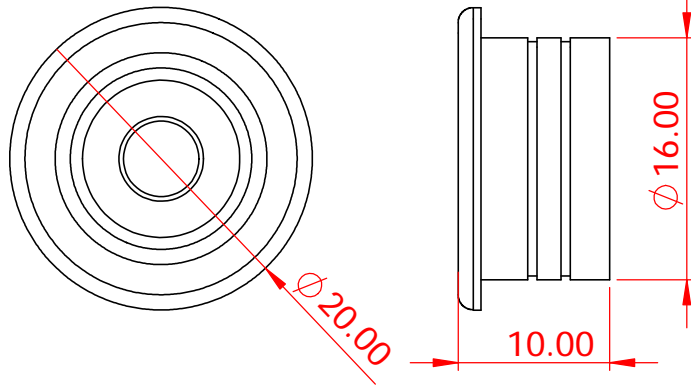
**SYMBOL**

**REVISION RECORD**

**DATE**

Liu

Drawn



Part No	Sensitivity	Finished
FMCLP20	30'/2mm	anodised
FMCLP20/120	120'/2mm	anodised
FMCLPB25	30'/2mm	chrome
FMCLPB20/120	120'/2mm	chrome

**L.V Level Co.,Ltd**  
[www.level-tool.com](http://www.level-tool.com)  
[sail@level-tool.com](mailto:sail@level-tool.com)

Unless Otherwise Specified:Units: mm  
 Tolerances: XX. ± 1.0 | XX.X ± 0.25 | XX.XX ± 0.1

**MATERIAL:**  
 Vial: Plastic  
 Housing: Aluminium

**DRAWN BY:**

**DATE:** 2014-10-25

liu

**DRAWING NUMBER**

768#,Nanhai Road,Nantong,Jiangsu,China

**TITLE:** Flush Mounted Circular Levels  
 Diameter 20mm

**SCALE:** 2:1

FMCLP20