

NOTES:

Temp.Range:-25 to +65°C
 Centre Ring: $\Phi 9.5\text{mm} \pm 0.1$ external diameter
 Color : anodised , chrome plated
 Line Thickness:0.5mm
 Bubble: $\Phi 8.0 \pm 0.3$ at 20° C
 Liquid:Green
 Backing:White

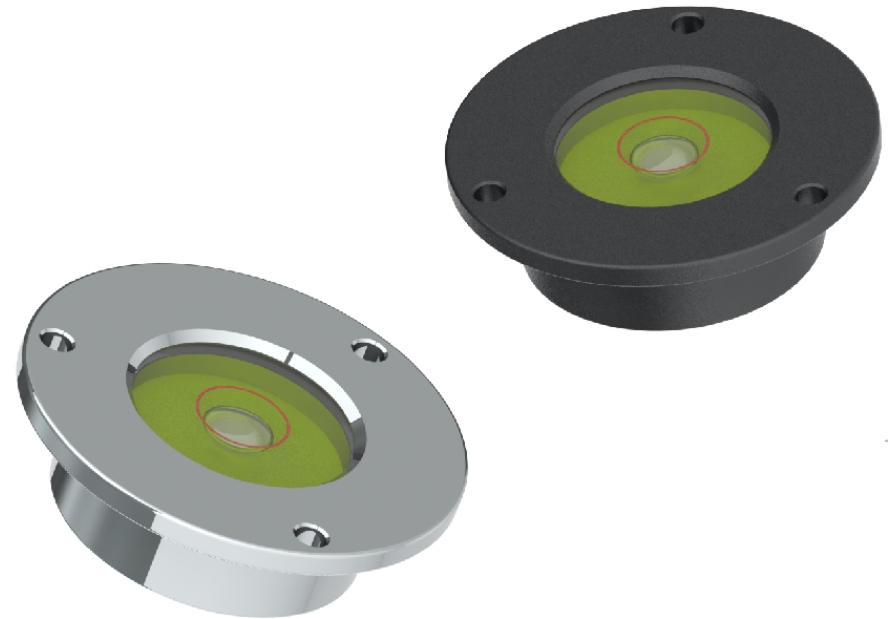
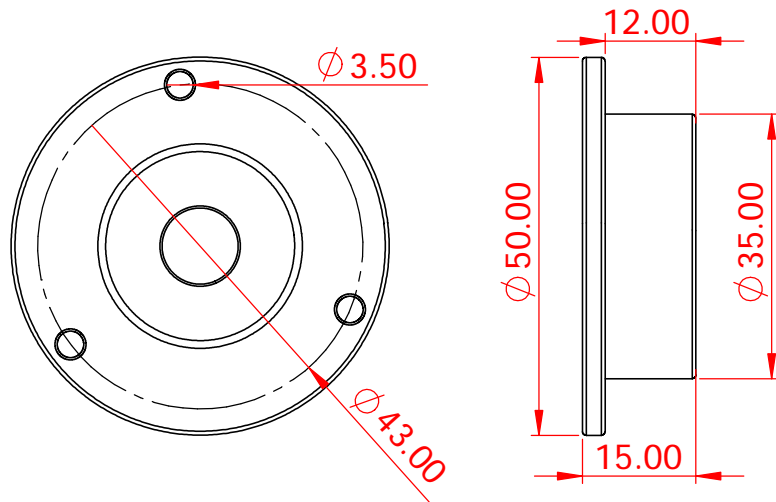
SYMBOL

REVISION RECORD

DATE

Liu

Drawn



Part No	Sensitivity	Finished
FMCLCPF50	40'/2mm	anodised
FMCLCPF50	40'/2mm	chrome

L.V Level Co.,Ltd
www.level-tool.com
sail@level-tool.com

Unless Otherwise Specified:Units: mm
 Tolerances: XX. ± 1.0 | XX.X ± 0.25 | XX.XX ± 0.1

MATERIAL:
 Vial: Plastic
 Housing: Aluminium

DRAWN BY:

DATE: 2014-6-25

liu

DRAWING NUMBER

768#,Nanhai Road,Nantong,Jiangsu,China

TITLE: Flush Mounted Circular Levels
 Diameter 50mm

SCALE: 1:1

FMCLP50