

NOTES:

Sensitivity: 16' / 2mm bubble movement
 Centre Ring: $\Phi 8.3\text{mm} \pm 0.1$ external diameter
 Color :Black
 Line Thickness: 0.3mm
 Bubble: $\Phi 7.0 \pm 0.3$ at 20°C
 Liquid: Clear
 Backing: Transparent
 Case Color: Black

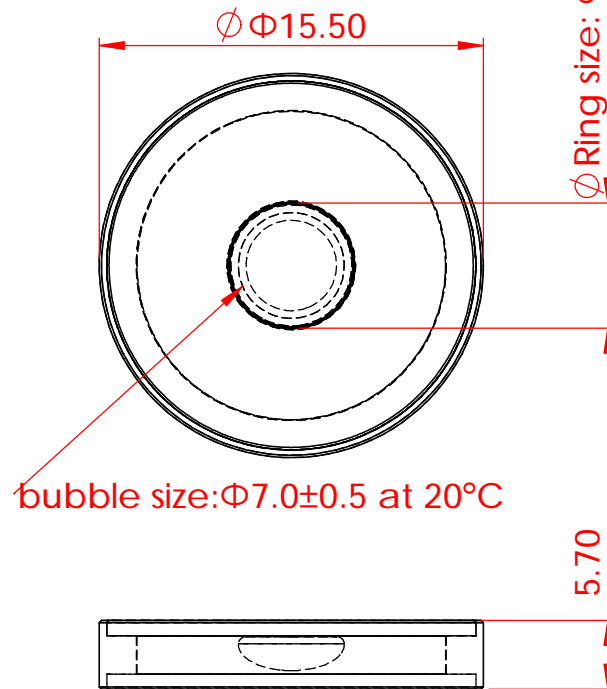
SYMBOL


REVISION RECORD

DATE

Liu

Drawn



 **L.V Level Co.,Ltd**
www.level-tool.com
sail@level-tool.com

Unless Otherwise Specified: Units: mm
 Tolerances: XX. ± 1.0 | XX.X ± 0.25 | XX.XX ± 0.1

MATERIAL:
 Vial: Glass
 Housing: Aluminium

DRAWN BY:

liu

DATE: 2003-2-10

DRAWING NUMBER

768#, Nanhai Road, Nantong, Jiangsu, China

TITLE:
 Circular vial 15.5mm dia, sens 16' / 2mm

SCALE: 1:1

GCV5611-1