

NOTES:

Sensitivity: 1 degree/2.6mm bubble movement
 Centre Ring: $\Phi 10.5\text{mm} \pm 0.1$ external diameter
 Color :BLACK
 Line Thickness: 0.3mm
 Bubble: $\Phi 10.0 \pm 0.3$ at 20°C
 Liquid: Clear
 Backing: Transparent
 Case Color: Black

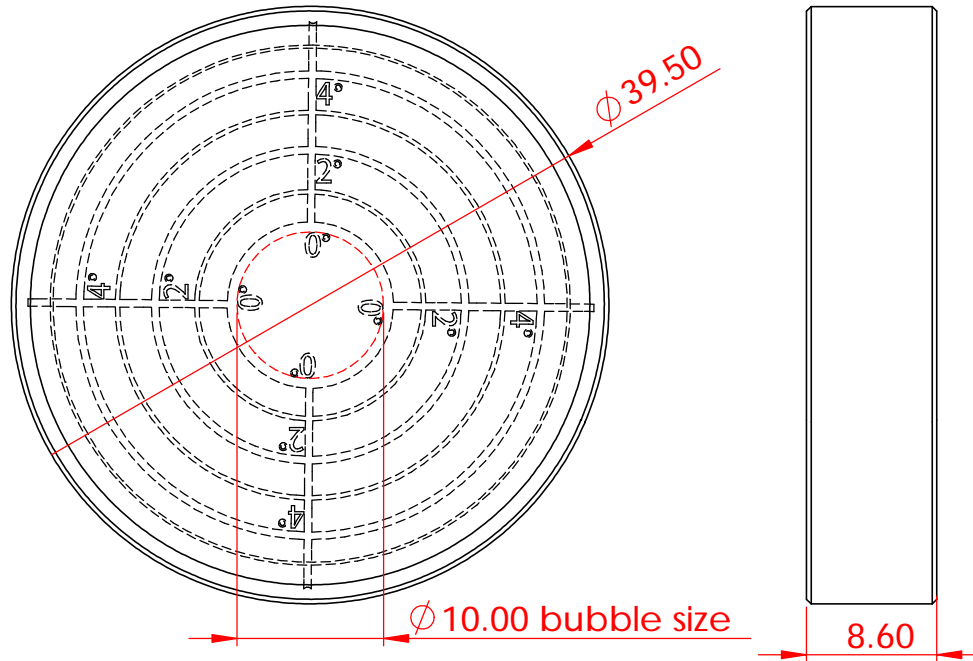
SYMBOL

REVISION RECORD

DATE

Liu

Drawn



L.V Level Co.,Ltd
www.level-tool.com
sail@level-tool.com

Unless Otherwise Specified: Units: mm
 Tolerances: XX. ± 1.0 | XX.X ± 0.25 | XX.XX ± 0.1

MATERIAL:
 Vial: Glass
 Housing: Aluminium

DRAWN BY:

DATE: 2006-3-15

liu

DRAWING NUMBER

768#, Nanhai Road, Nantong, Jiangsu, China

TITLE: Circular Vial, $\Phi 39.5\text{mm}$
 sensitivity 1° / 2.6mm

SCALE: 2:1

GCV5671-1