

SENSITIVITY

Part Number	Sensitivity
ISOL130/1	1mm/m per Div
ISOL130/0.4	0.4mm/m per Div
ISOL130/0.1	0.1mm/m per Div
ISOL130/0.05	0.05mm/m per Div

SYMBOL

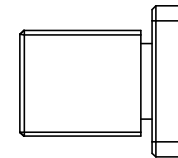
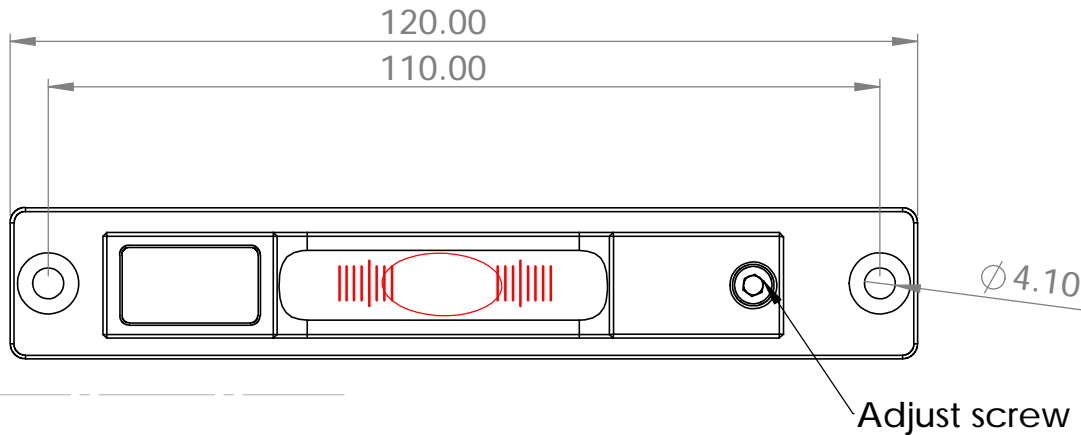
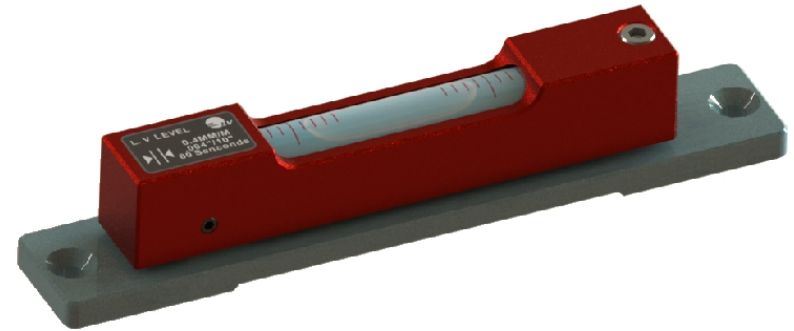
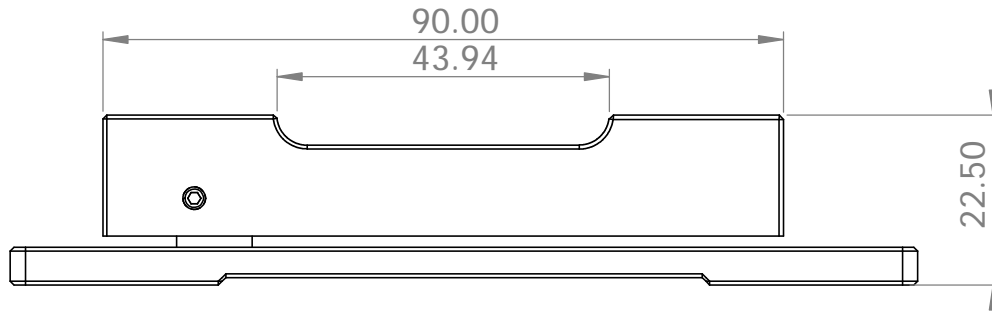
Liu

REVISION RECORD

drawn

DATE

2006-12-1



L.V Level Co.,Ltd
www.level-tool.com
sail@level-tool.com

Unless Otherwise Specified:Units: mm
 Tolerances: XX. ± 1.0 | XX.X ± 0.25 | XX.XX ± 0.1

MATERIAL:
 Steel base
 Aluminum Cover
 Glass Vial

DRAWN BY:

Liu

DATE: 2006-12-1

DRAWING NUMBER

ISOL130

768#,Nanhai Road,Nantong, Jiangsu,China

FLUID:

SCALE: 1:1