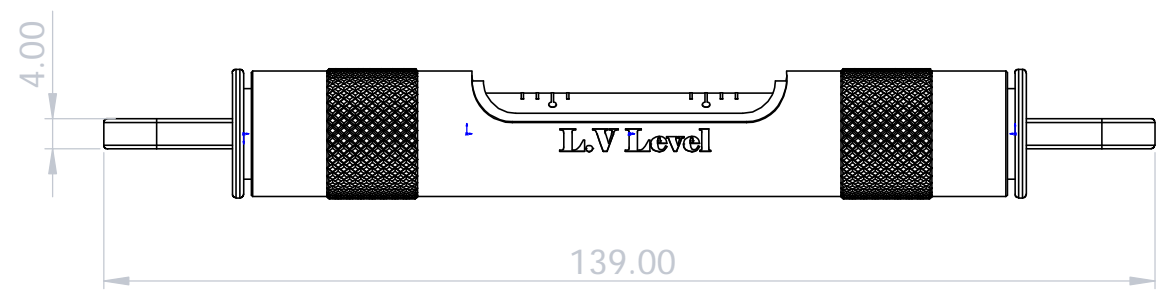
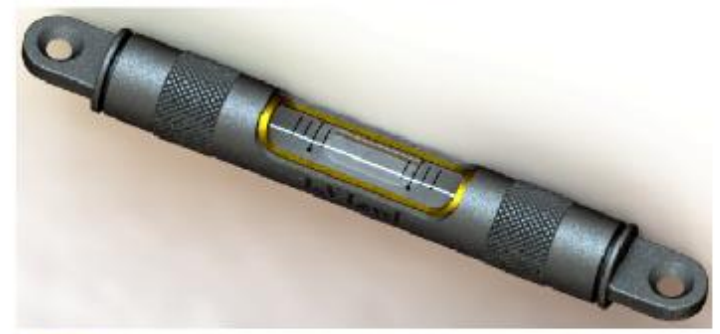
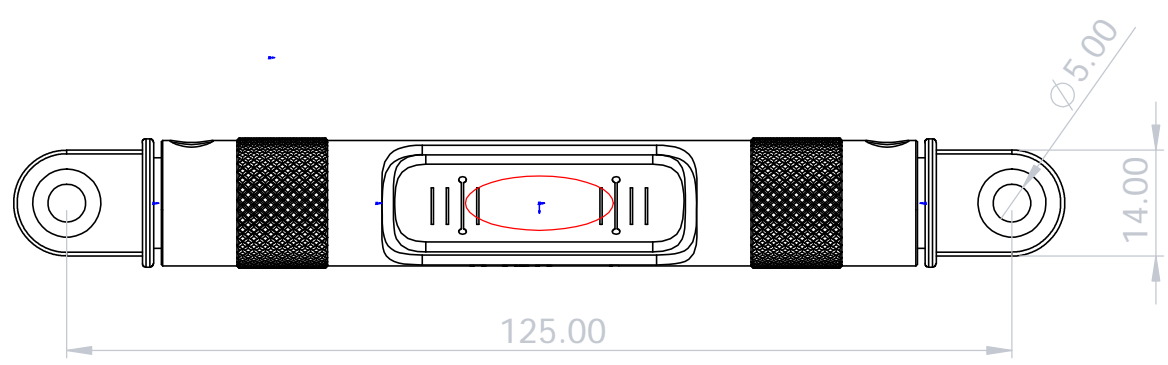



6		5		4		3		2		1	
<b>NOTES:</b>						<b>SYMBOL</b>		<b>REVISION RECORD</b>		<b>DATE</b>	
(1) ALL DIMENSIONS ARE IN MM (2) FLUID: Clear Methanol (3) Sensitivity: 120 seconds per Division Division Spacing: 2MM Tolerance on sensitivity: ± 20 sec.						Liu		Drawn		2010-11-10	



Vial: Glass  
Housing: Chrome Plate

A	 <b>L.V Level Co.,Ltd</b> <a href="http://www.level-tool.com">www.level-tool.com</a> <a href="mailto:sail@level-tool.com">sail@level-tool.com</a>	Unless Otherwise Specified:Units: mm Tolerances: XX. ± 1.0   XX.X ± 0.25   XX.XX ± 0.1	<b>MATERIAL:</b>	<b>DRAWN BY:</b>	<b>DATE:</b> 2010-11-10
				liu	<b>DRAWING NUMBER</b>
	768#,Nanhai Road,Nantong,Jiangsu,China	<b>TITLE:</b> TUBULAR LEVEL	<b>SCALE:</b> 1:1		ISOL4-4001