

NOTES:

Vial sensitivity: 30' per 2mm division
 Level is set with reference to surface A flat ±7'

SYMBOL

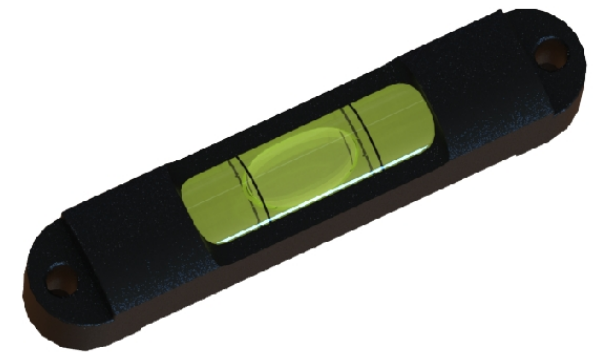
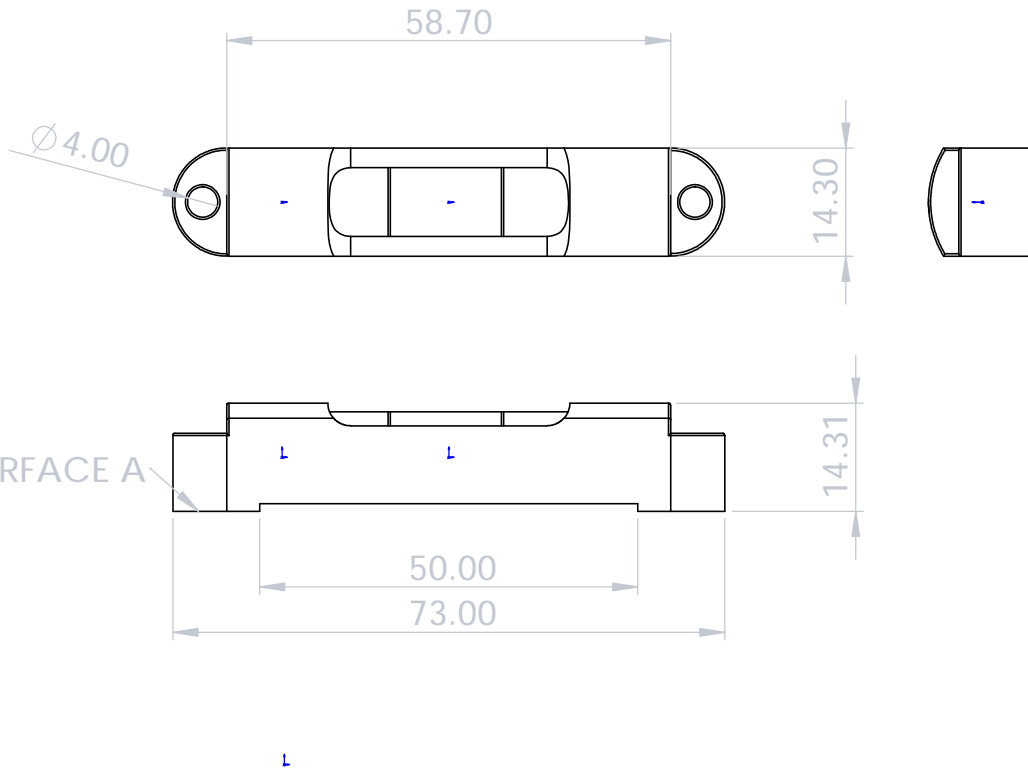
Liu

REVISION RECORD

drawn

DATE

2020-9-10



L.V Level Co.,Ltd
www.level-tool.com
sail@level-tool.com

Unless Otherwise Specified: Units: mm
 Tolerances: XX. ± 1.0 | XX.X ± 0.25 | XX.XX ± 0.1

MATERIAL:
 Aluminum Cover
 PLASTIC LEVEL VIAL

DRAWN BY:
 Liu

DATE: 2020-9-10
DRAWING NUMBER
 ISOLGPL15P

768#,Nanhai Road,Nantong,Jiangsu,China

TITLE: Instrument level,plastic level

SCALE: 1:1