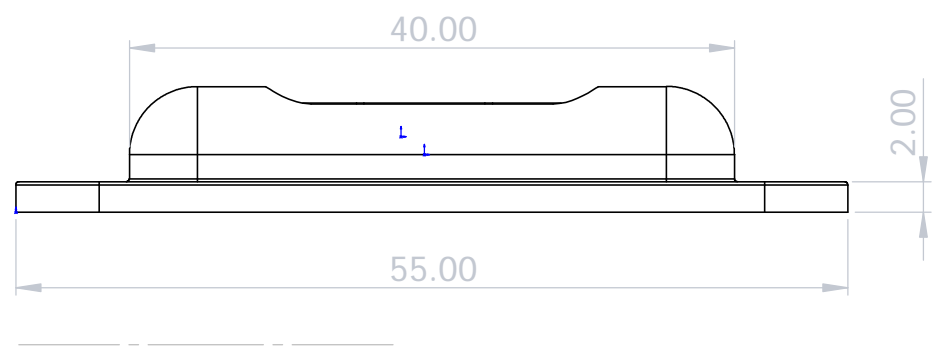
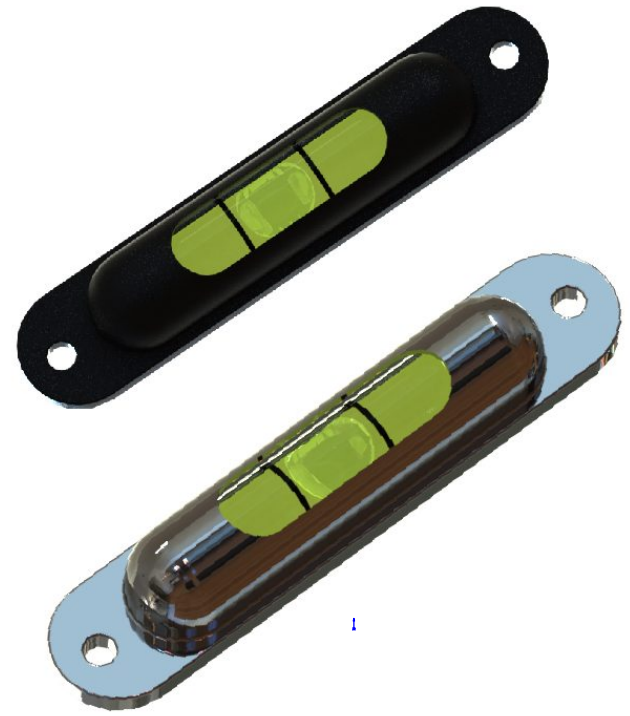
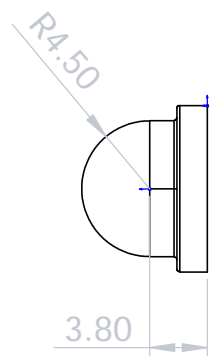
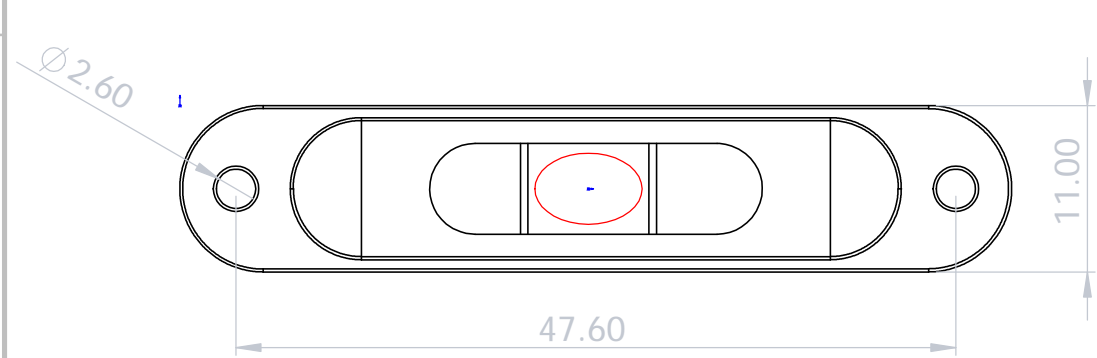



6			5			4			3			2			1		
NOTES:									SYMBOL			REVISION RECORD			DATE		
Part Number			Finish			Vial			Liu			drawn			2007-10-9		
ISOLLM9P			Etched and black anodised			Glass,Green Liquid											
ISOLLM9C			Nickel-Chrome plated			Glass,Green Liquid											
ISOLLM9PG			Etched and black anodised			Glass,Green Liquid											
ISOLLM9CG			Nickel-Chrome plated			Glass,Green Liquid											



A	 L.V Level Co.,Ltd www.level-tool.com sail@level-tool.com	Unless Otherwise Specified:Units: mm Tolerances: XX. ± 1.0 XX.X ± 0.25 XX.XX ± 0.1	MATERIAL: Aluminium base Glass vial	DRAWN BY:	DATE: 2007-10-9	A
				Liu	DRAWING NUMBER ISOLLM9	
768#,Nanhai Road,Nantong,Jiangsu,China		TITLE: Instrument Level, 30'/2mm,glas vial	SCALE: 2:1			

6 5 4 3 2 1