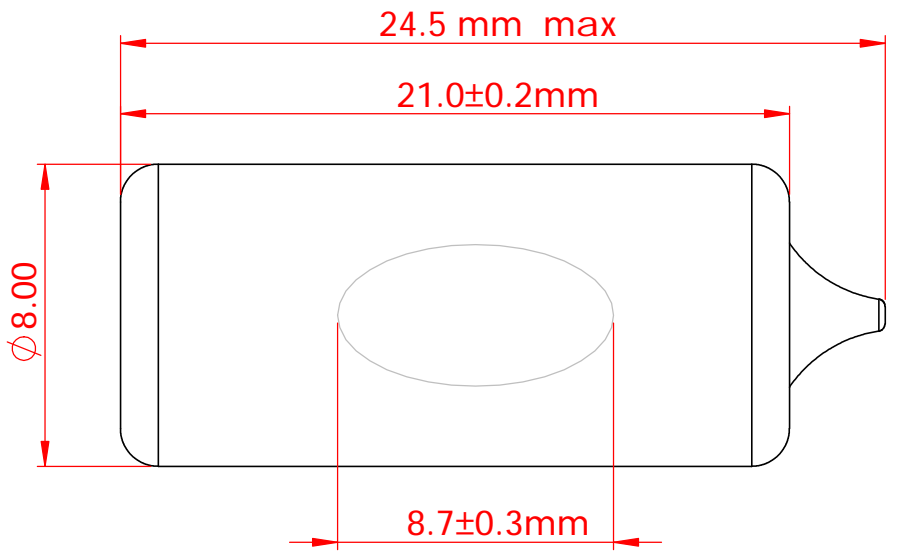



	6	5	4	3	2	1
	NOTES:			SYMBOL	REVISION RECORD	DATE
D	<p>Specifications:</p> <ul style="list-style-type: none"> - barrel grinding, R=1375mm - Polished finish - Sensitivity 5'±1' per 2mm bubble movement <p>Filling:</p> <ul style="list-style-type: none"> - Liquid n-Heptane(min 99/9% purity) - Airbell 8.7±0.3mm at 20°C <p>Finish:</p> <ul style="list-style-type: none"> - Outside Glass surface to be free from scratches - No finger prints - No internal or external dust particles <p>Packing:</p> <ul style="list-style-type: none"> - Antistatic tape and reel, 200 pcs per reel <p>Inspection:</p> <ul style="list-style-type: none"> - 100% automated vision inspection for vial Length, bubble size and hysteresis. <p>Performance:</p> <ul style="list-style-type: none"> - Resolution < 1 arc second - Hysteresis < 10 arc seconds - Operating temperature range -20°C to 70°C - Storage temperature range -40°C to 80°C 					
C						
B						
A						



A	 L.V Level Co.,Ltd www.level-tool.com sail@level-tool.com	Unless Otherwise Specified:Units: mm Tolerances: XX. ± 1.0 XX.X ± 0.25 XX.XX ± 0.1	MATERIAL: soda glass tube, 8mm Dia	DRAWN BY:	DATE: 2007-11-10	A
				liu	DRAWING NUMBER	6610/2
	TITLE:	Sensor vial, 21x8mm, sensitivity 1.5mm/m	SCALE: 1:1			
	6	5	4	3	2	1